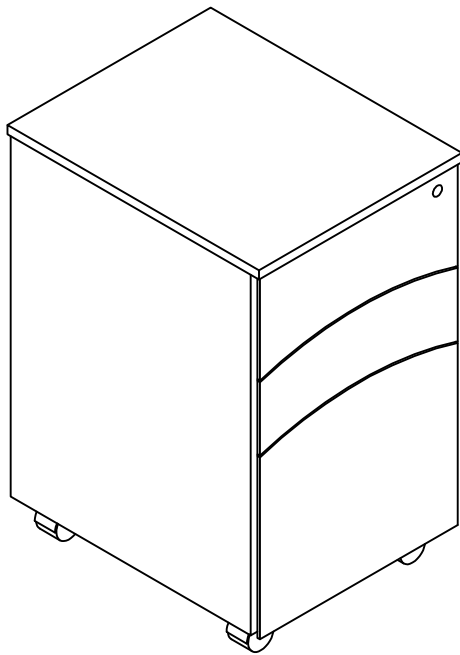


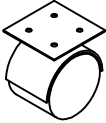



Brighton Series™
Mobile Pedestal
Model No. BTBBF20M



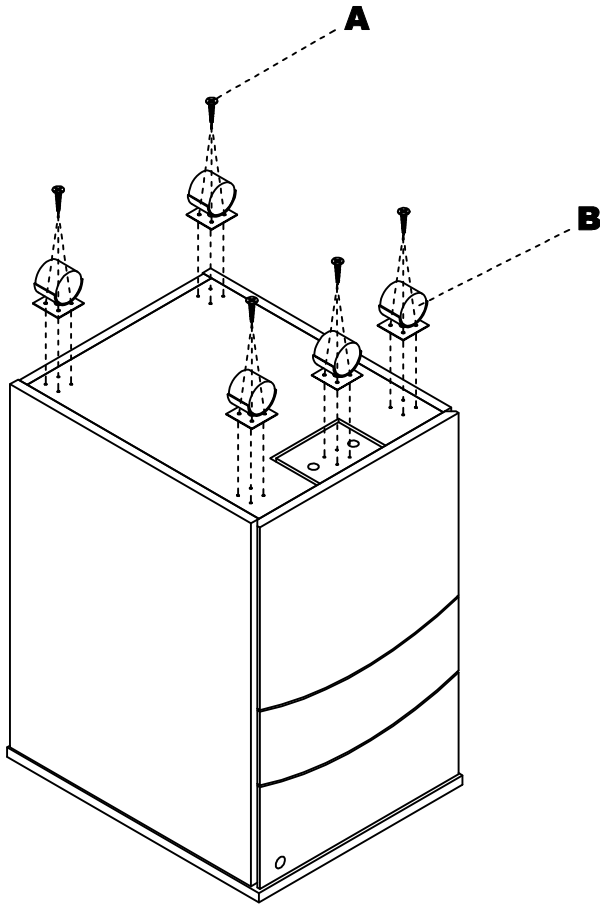
ASSEMBLY INSTRUCTIONS
CALL 1-800-822-8037 FOR ASSISTANCE

PARTS LIST

Name	Part	Qty.	Spare Qty	Name	Part	Qty.	Spare Qty
A	 REALBY010 M4 x 14mm	20	1	C	 Keys		
B	 REALBY019 Caster	5			 BTMPHB		

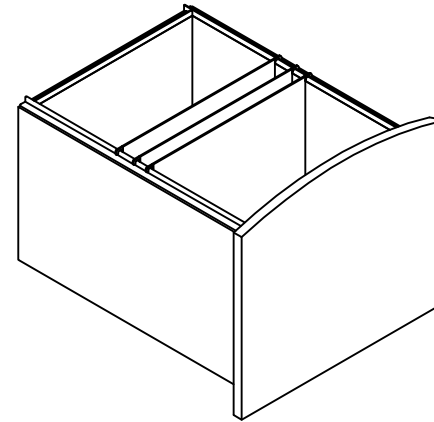
Items with HB are in hardware box.

- 1** Attach Casters (B) to underside of Pedestal using Screws (A).

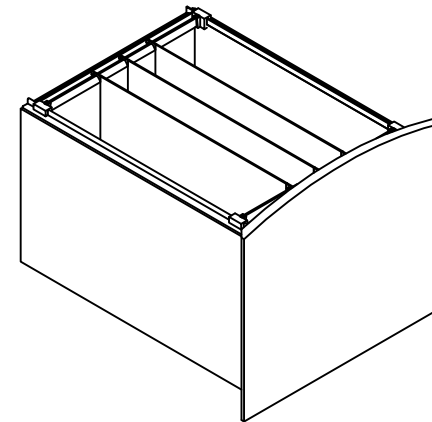


2

- 2** Use Drawer sides for letter size filing. Install File Bar Clips and File Bars for legal size filing only.




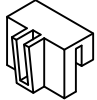
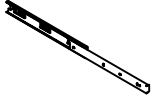



Letter Sized Filing



Legal Sized Filing

3

Pre-Installed Replacement Parts List

Part	Included Qty.	Part	Included Qty.
 REALBY038 18" Slide Pair, File Drawer	1	 REALBY029 File Bar Clip	2
 REALBY040 18" Slide Pair, Box Drawer	2	 REALBY031 File Bar 293 x 15 x 3mm	1
 BTBBFDF** Drawer Fronts, Set of 3	2	 REALBY009 M3.5 x 14mm	46

**Denotes Color Code