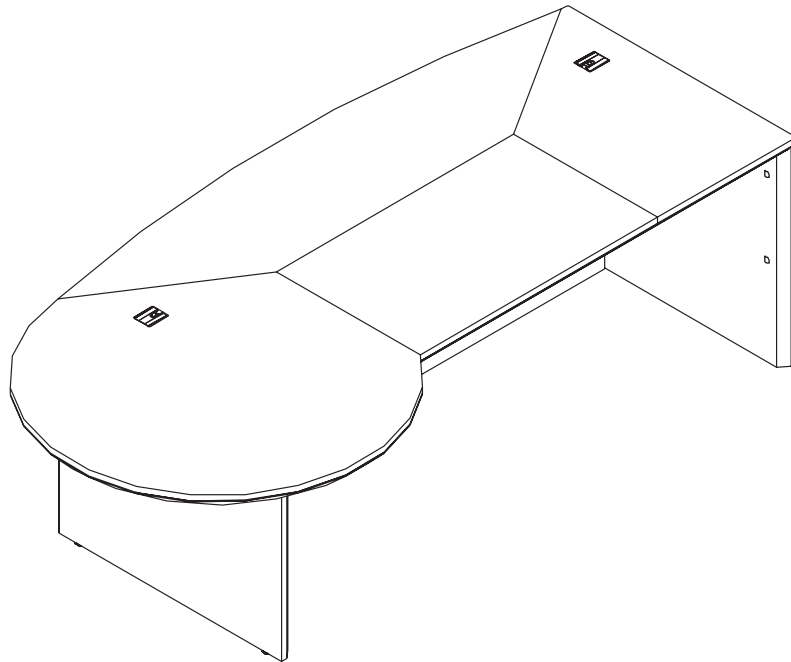







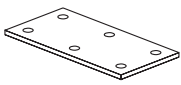


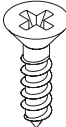
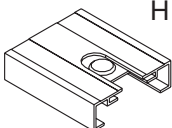

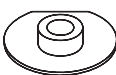
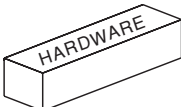
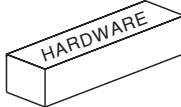
Corsica 95" P-Shaped Desk, Left Hand Model No.s CDPLT/CDPEL/CDRBL



ASSEMBLY INSTRUCTIONS
CALL 1-800-822-8037 FOR ASSISTANCE

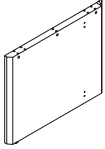
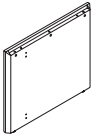
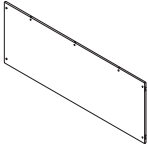
PARTS LIST

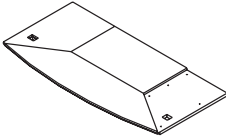
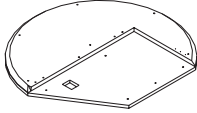
Name	Part	Qty.	Spare Qty
A*	 HB-d/e REALS004 Wood Dowel	10	1
B*	 HB-d/e REALS003 Cam Post	16	2
C*	 HB-d REALS001 Cam Fastener	16	2
D*	 HB-d REALS002 Cam Cap	7	1
E*	 HB-d REALS006 Cap	9	2
F	 HB-e REALS007 Plate	1	

Name	Part	Qty.	Spare Qty
G*	 HB-e REALS005 4mm x 16mm	6	1
H*	 HB-d REALS020 Desk Grommet	2	
J	 HB-e REALS019 6mm x 40mm	5	1
K	 HB-d REALS153 Cap	2	
	 CDPTHB		
	 CDPEHB		

Items with HB-d are in the hardware box for the desk
 Items with HB-e are in the hardware box for the extension
 *For Individual Items, Order By Part Number.
 ** Denotes Color Code

PARTS LIST


Name	Part	Qty.	Spare Qty
M*	 CDPBL** Left Leg	1	
N*	 CDPBL** Right Leg	1	
O*	 CDPRTO** Modesty Panel	1	

Name	Part	Qty.
P*	 CTPLT** Top	1
Q*	 CDPEL** Extension - Right	1

*For Individual Items, Order By Part Number.

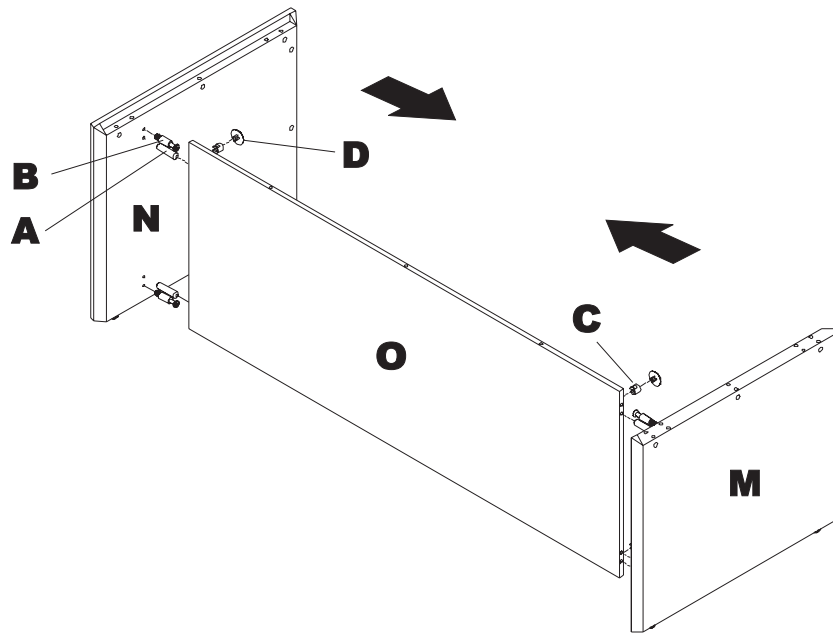
** Denotes Color Code

Pre-Assembled Replacement Part List

Replacement #	Part	Qty.
REALS067*	 Leveler w/ Insert	4

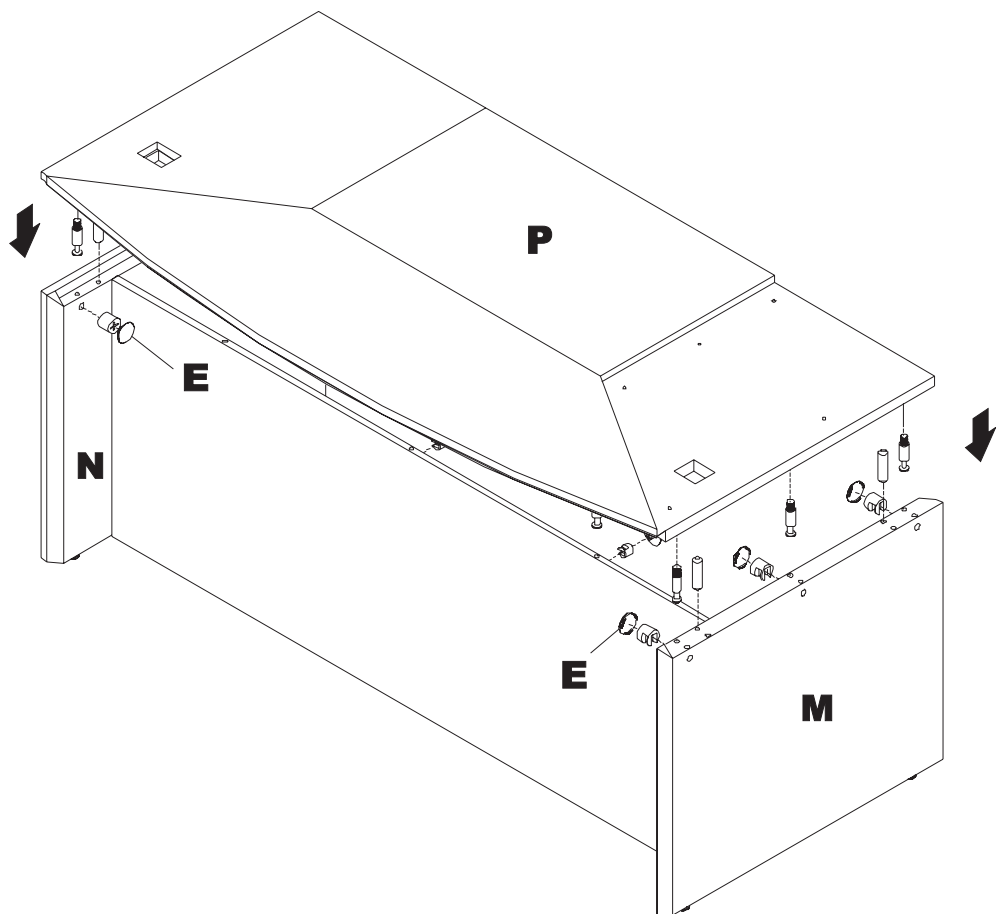
*For Individual Items, Order By Part Number.

1



Note: For Step 1, dowels (A) are to be inserted into modesty panel (O) and NOT in side panels (M/N).

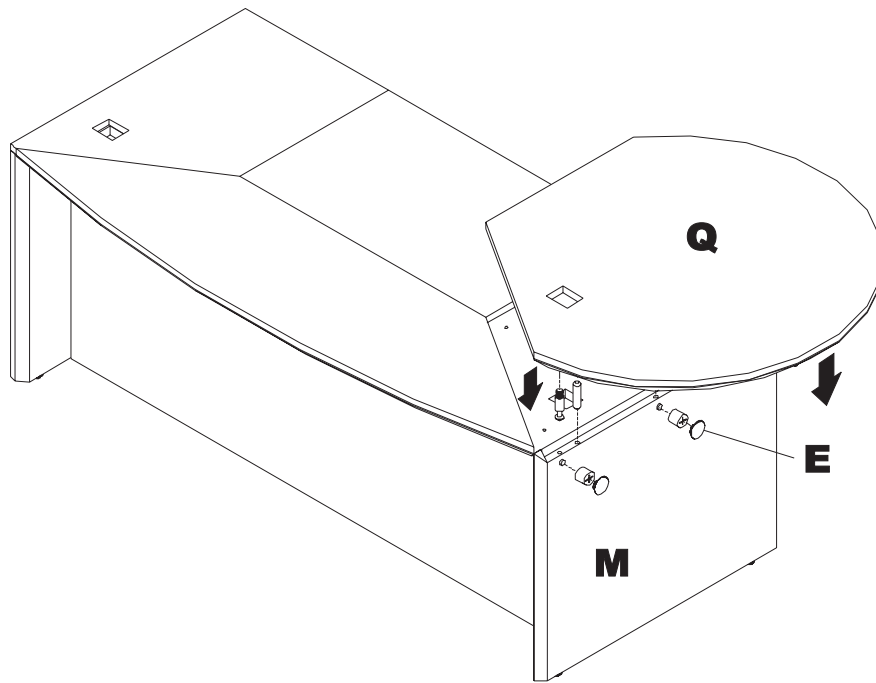
2



Note: For Step 2, dowels (A) are to be inserted into top of end panels (M/N) and NOT in top (P).

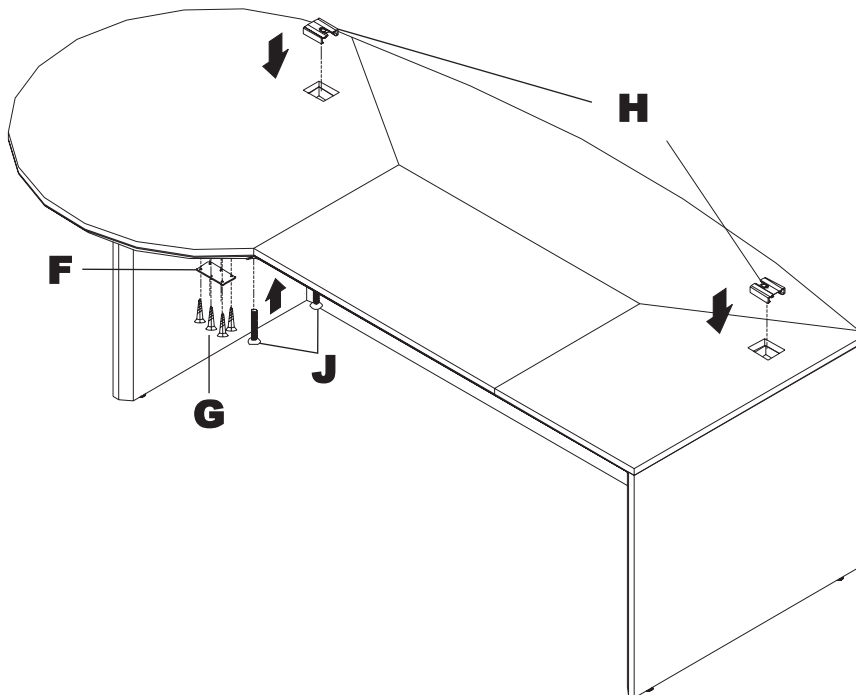
3

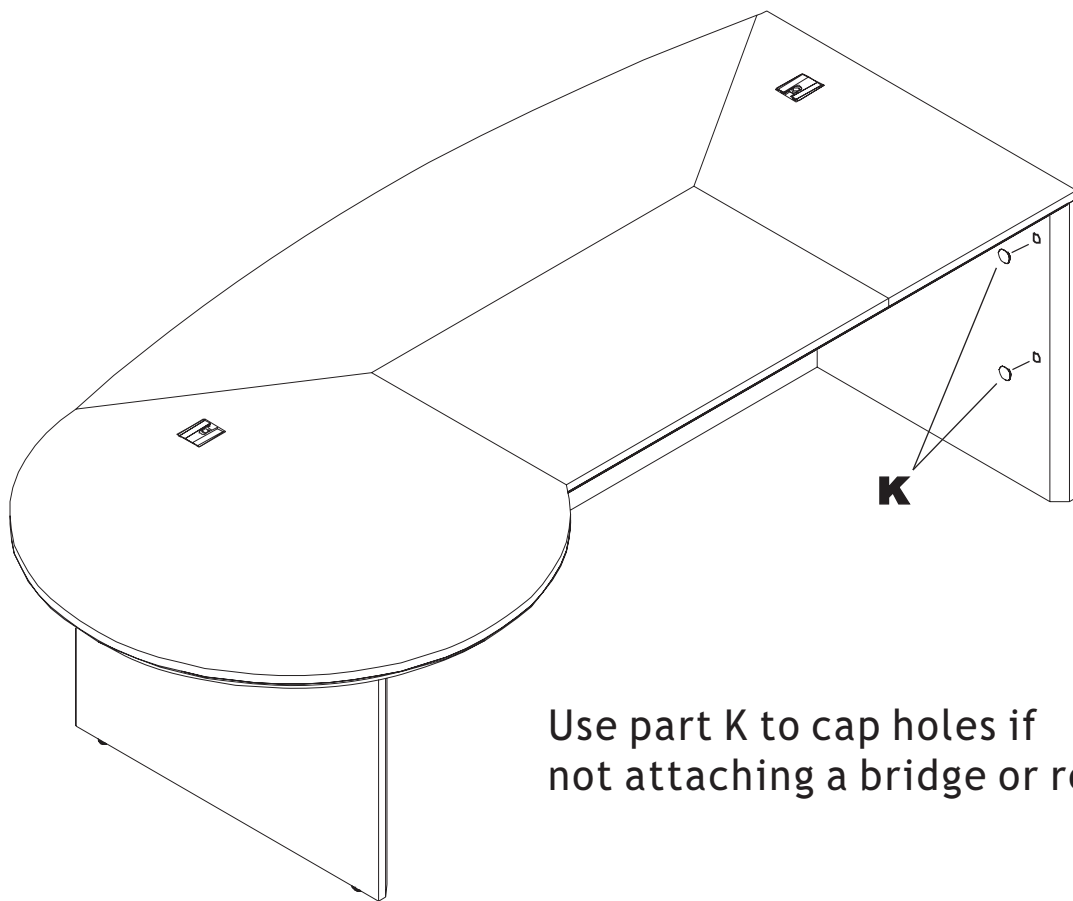
3



Note: For Step 3, dowels (A) are to be inserted into top of end panels (M/N) and NOT in extension (Q).

4





Use part K to cap holes if not attaching a bridge or return.